



User's Manual



1. Description:

The Vantec AeroFlow FX 120 is a high performance CPU cooler. It incorporates a specialized 8mm diameter copper heat-pipe for optimum heat transfer. With its unique Heat-Pipe Direct Touch Technology (HDT), the heat-pipe is in direct contact with the processor and minimizes thermal resistance. Combine with a powerful 120mm PWM fan and fan vibration dampener, the thin & lightweight heat sink design allows the fan to easily dissipate the heat accumulated and minimizes noise. Excellent compatibility with its 3-in-1 mounting bracket, the Vantec AeroFlow FX 120 is a perfect choice for keeping your processor cool.

2. Features:

- Heat-Pipe Direct Touch Technology (HDT)
- Three 8mm Diameter Heat-Pipe
- Fan Vibration Dampener
- 120mm High Performance PWM Fan
- 3-In-1 CPU Mounting Bracket
- Thin & Lightweight Heat Sink
- Supports Intel Socket 775/478 & AMD Socket AM2/754/939/940 CPU

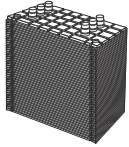

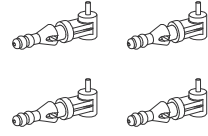

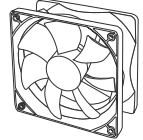

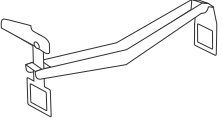
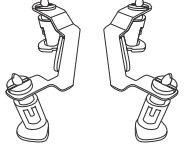
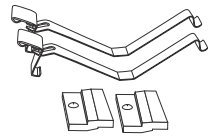
3. Specifications:

Model	VAF-1225
Weight	588 +/- 10 g
Heat Sink Material	Aluminum
Noise Level	19~27 dBA
Airflow	54.8~80.6 CFM
Bearing Type	Fluid Magnetic Bearing
Dimension	120x76.8x162.5mm
Heat Pipe Size	8mm in Diameter
Fan Speed	1600 ~ 2200 RPM
Fan Dimension	120x120x25mm PWM

4. Recommended For:

- Intel 478 (Celeron, Celeron D, Pentium 4)
- Intel 775 (Celeron D, Pentium 4, Pentium 4, Pentium D, Core 2 Duo, Core 2 Quad, Core 2 Extreme)
- AMD 754 (Sempron, Athlon 64)
- AMD 939 (Athlon 64, Athlon 64 X2, Athlon 64 FX, Opteron, Dual-Core Opteron)
- AMD 940 (Athlon 64 FX, Opteron, Dual-Core Opteron)
- AMD AM2 (Sempron, Athlon 64, Athlon 64 X2, Athlon 64 FX)

5. Package Contents:

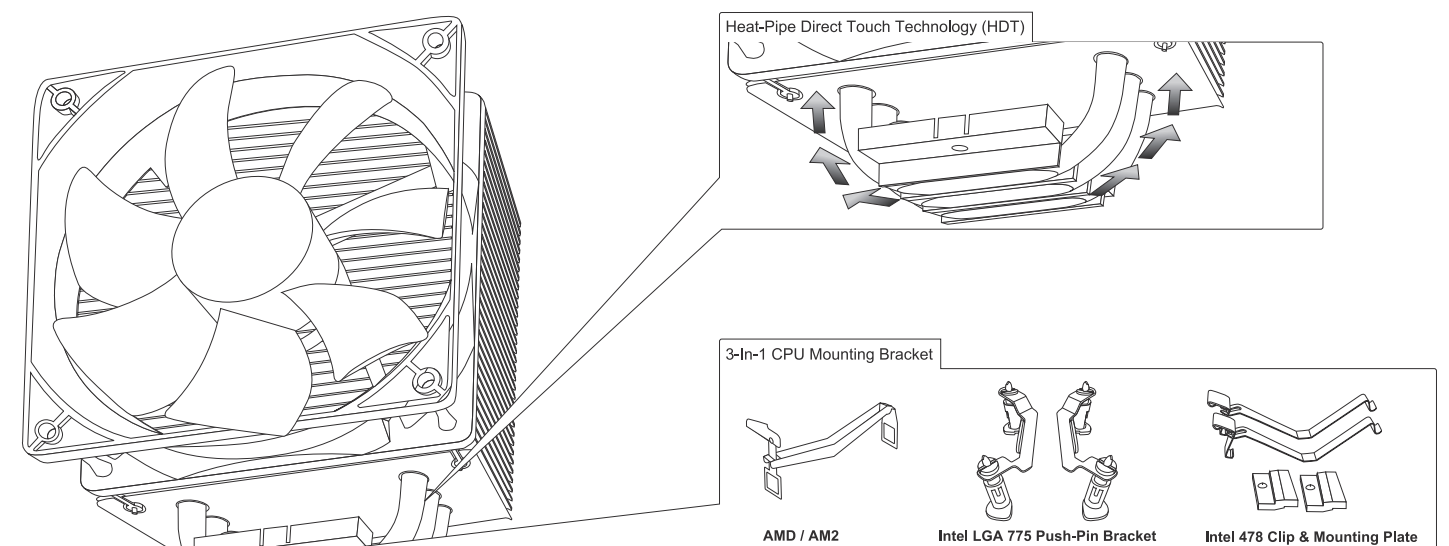
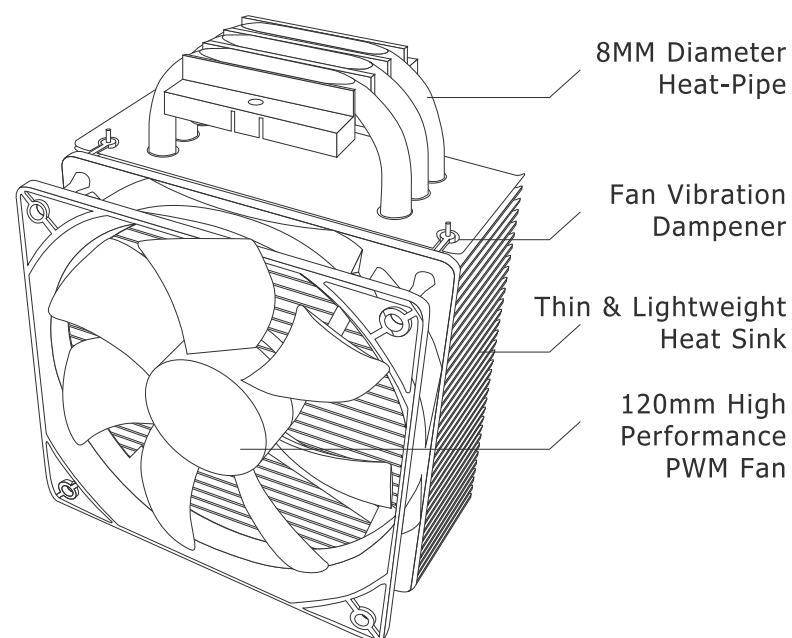
		
AeroFlow FX 120 CPU Cooler x1	Thermal Grease x1	Fan Vibration Dampener x4
		
Screw x2	120mm PWM Fan x1	User's Manual x1
		
AMD/AM2 Clip x1	Intel LGA 775 Push-Pin Bracket x2	Intel 478 Clip & Mounting Plate x4

Precautions:

Check the Package Contents list and condition of the product before installation. If any parts are missing or if there are cosmetic defects, please contact the retailer from which you purchased the unit immediately for a replacement.

Please refer to this User's Manual for proper installation.

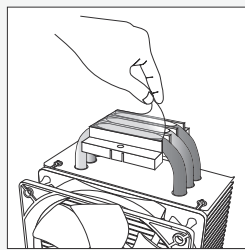
Vantec Thermal Technologies is not responsible for any damages to the product or computer due to improper use, alteration to the product, and incorrect installation.



6. Heat Sink Installation:

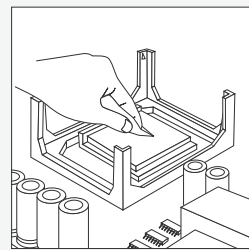
Intel 478 Installation

Step 1.



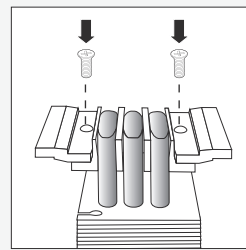
Remove the protective label on the bottom of the heat sink before installation.

Step 2.



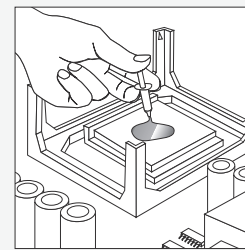
Clear off all particles and residues with a dry cloth.

Step 3.



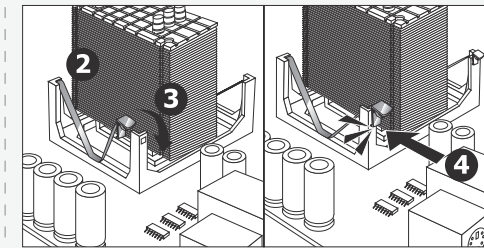
Attached the Intel 478 Mounting Plates on the bottom of heat sink and fasten with screws.

Step 4.



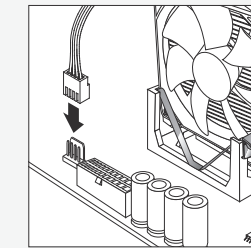
Evenly apply the Thermal Grease on the surface of CPU.

Step 5.



1. Place the AeroFlow FX120 on top of the CPU.
2. Attached the Intel 478 Clip to the retention module.
3. Secure the other end of Intel 478 Clip to the retention module.
4. Repeat step 2 & 3 on the other side.

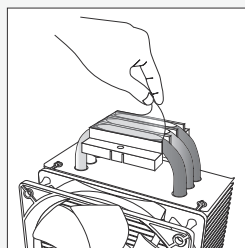
Step 6.



Install Fan on heat sink(see Section 7) and connect the fan connector to the motherboard.

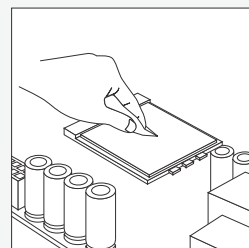
Intel 775 Installation

Step 1.



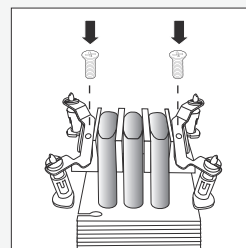
Remove the protective label on the bottom of the heat sink before installation.

Step 2.



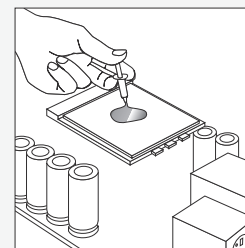
Clear off all particles and residues with a dry cloth.

Step 3.



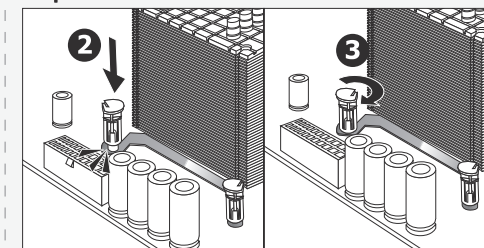
Attached the Intel LGA 775 Push-Pin Bracket on the bottom of heat sink and fasten with screws.

Step 4.



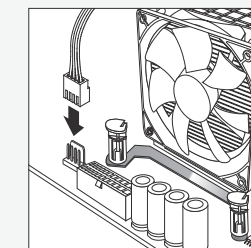
Evenly apply the Thermal Grease on the surface of CPU.

Step 5.



1. Place the AeroFlow FX120 on top of the CPU.
2. Align the Intel LGA 775 Pin-Pin Bracket to the 4 holes around the CPU Socket and press down.
3. Turn the Push-Pin clockwise with screwdriver to lock.

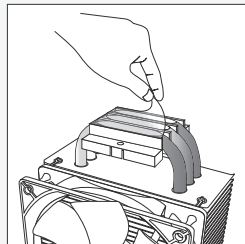
Step 6.



Install Fan on heat sink(see Section 7) and connect the fan connector to the motherboard.

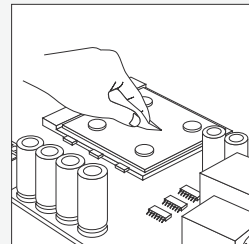
AMD / AM2 Installation

Step 1.



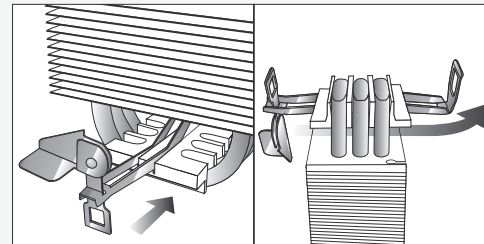
Remove the protective label on the bottom of the heat sink before installation.

Step 2.



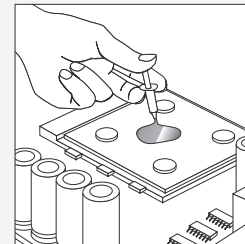
Clear off all particles and residues with a dry cloth.

Step 3.



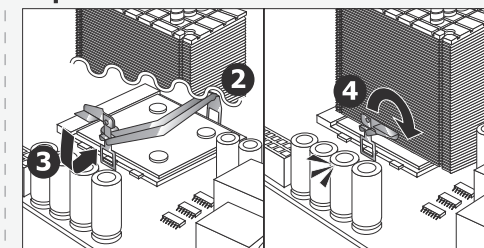
Insert between the gap and align the AMD Clip across the bottom of the heat sink.

Step 4.



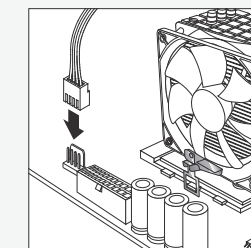
Evenly apply the Thermal Grease on the surface of CPU.

Step 5.



1. Place the AeroFlow FX120 on top of the CPU.
2. Attached one end of the AMD Clip to the retention module.
3. Secure the other end of the AMD Clip to the retention module.
4. Push the handle on the AMD Clip clockwise to lock.

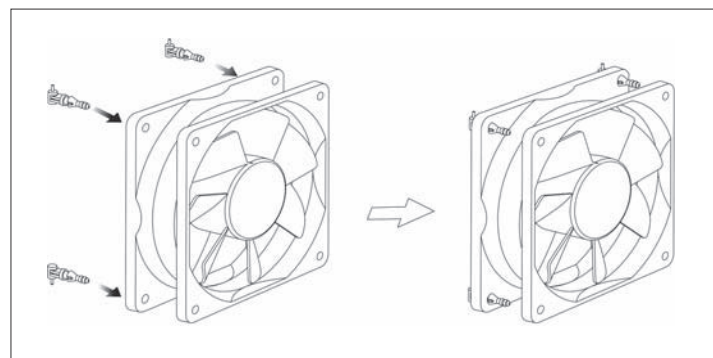
Step 6.



Install Fan on heat sink(see Section 7) and connect the fan connector to the motherboard.

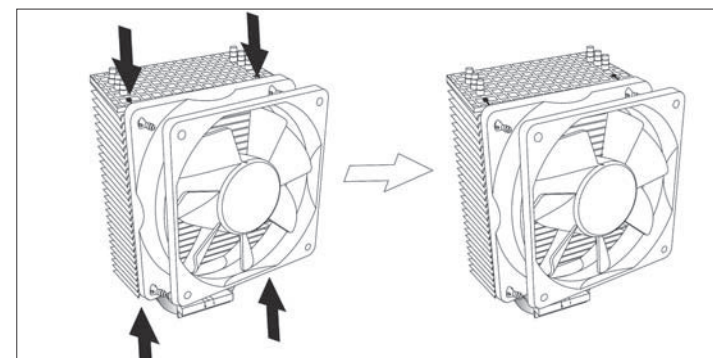
7. Fan Installation:

Step 1.

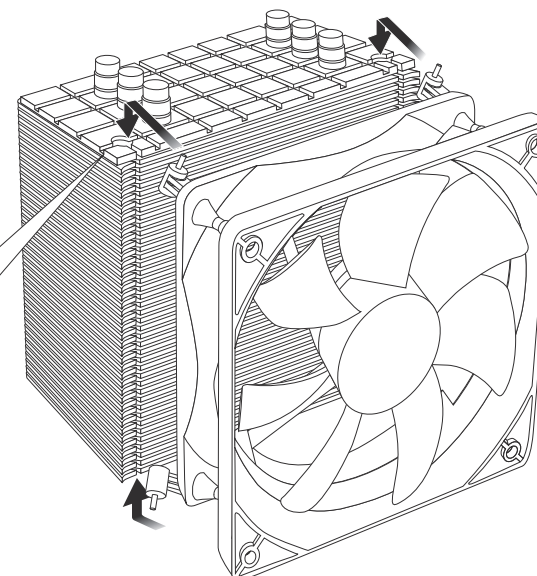


Insert the Fan Vibration Dampener to the Fan.

Step 2.



Align and install the Fan to the heat sink.
(It is recommended to insert the dampener to the 3rd row to the top and bottom of the heat sink)



8. Contact Us



Vantec Thermal Technologies

43951 Boscell Rd.
Fremont, CA 94538
Tel: 510-668-0368
Fax: 510-668-0367

website: www.vantecusa.com